

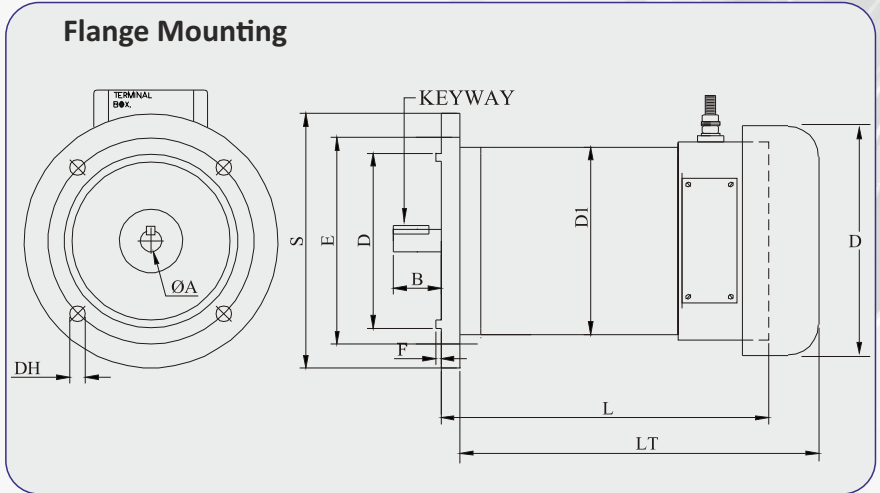


54, Annapurna Industrial Estate, Tilak Road,
Ghatkopar (E), Mumbai - 400 077 India
Tel: +91-22-21029911
E-mail: sales@excellaelectronics.com

PMDC MOTOR D127 & D142 SERIES

Mechanical Dimension

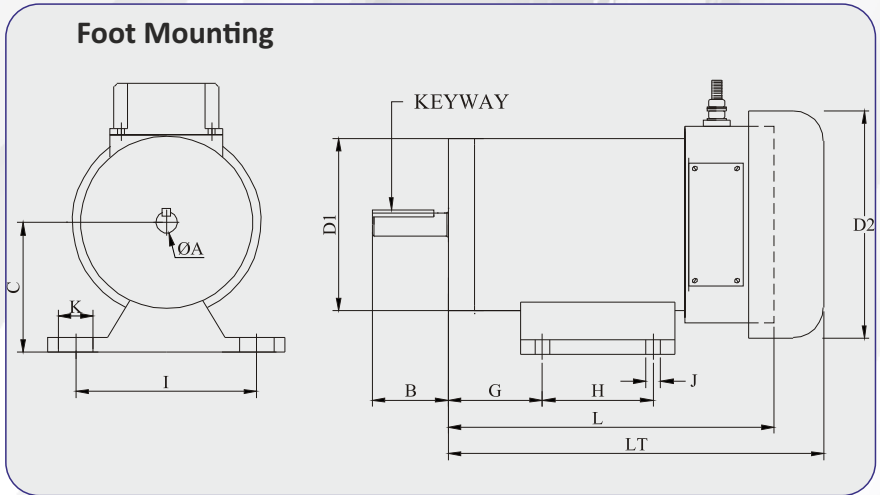
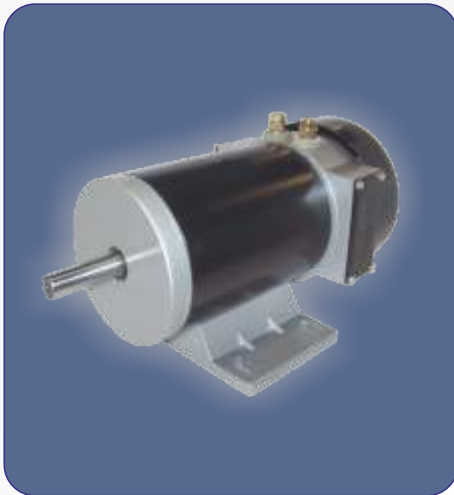
(Battery Operated)



MECHANICAL DIMENSIONS FOR FLANGE MOUNTING MOTORS.

D1	FRAME	A	B	D	S	E	F	DH	KEYWAY
127	80 FR	19	40	130	200	165	3.5	11.5	30X6X3D
142	90 FR	24	50	130	200	165	3.5	11.5	42X8X4D

Mechanical Dimension



MECHANICAL DIMENSIONS FOR FOOT MOUNTING MOTORS.

D1	FRAME	A	B	C	G	H	I	J	K	KEYWAY
127	127FT	24	62	89	85	76	124	9	24	42X5X4D
142	142 FT	24	62	89	85	76	124	9	24	42X5X4D

Technical Specification

POWER IN WATTS/HP	SPEED IN RPM		VOLTAGE IN VDC		CURR. IN AMPS		TORQUE IN KG-CM		INSL. CLASS	DUTY CYCLE	PROTECTION	ENCL.	MOUNTING	FRAME	D2	LT TEFC	WEIGHT (KG)
	R1	R2	V1	V2	A1	A2	T1	T2									
746/1.0	1500	3000	24	48	39	19.5	48	24	B	S1	IP 44	TEFC	FOOT	127FT	160	319	19.0
746/1.0	1500	3000	24	48	39	19.5	48	24	B	S1	IP 44	TEFC	FLANGE	80FR	160	319	
1120/1.5	1500	3000	-	48	-	29	72	36	B	S1	IP 44	TEFC	FOOT	127FT	160	368	23.0
1120/1.5	1500	3000	-	48	-	29	72	36	B	S1	IP 44	TEFC	FLANGE	90FR	160	368	
1492/2.0	1500	3000	-	48	-	38.8	96	48	B	S1	IP 44	TEFC	FOOT	142FT	160	368	29.0
1492/2.0	1500	3000	-	48	-	38.8	96	48	F	S1	IP 44	TEFC	FLANGE	90FR	160	368	

NOTE: THE ABOVE MOTOR CAN BE GIVEN IN FOOT OR FLANGE MOUNTING INCASE FOOT CUM FLANGE IS REQUIRED CHARGES EXTRA WILL BE CHARGED.